



Cobra Motorcycle Mfg.

240 Uran street
Hillsdale, MI 49242

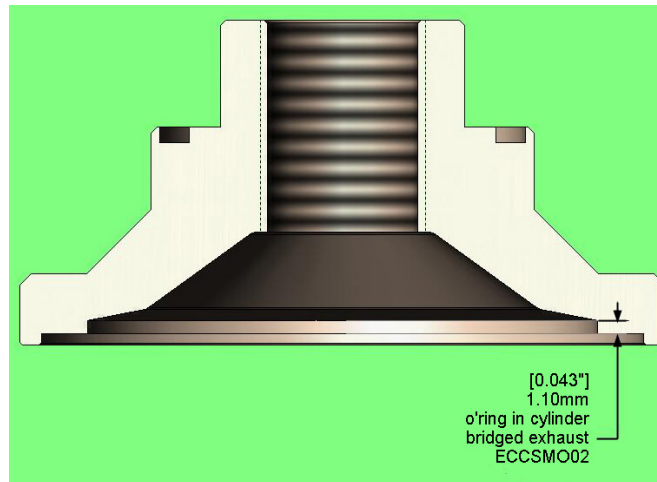
(517) 437-9100 phone
(517) 437-9101 fax

TSB1612 60 Mod Cylinder Head Insert Guide

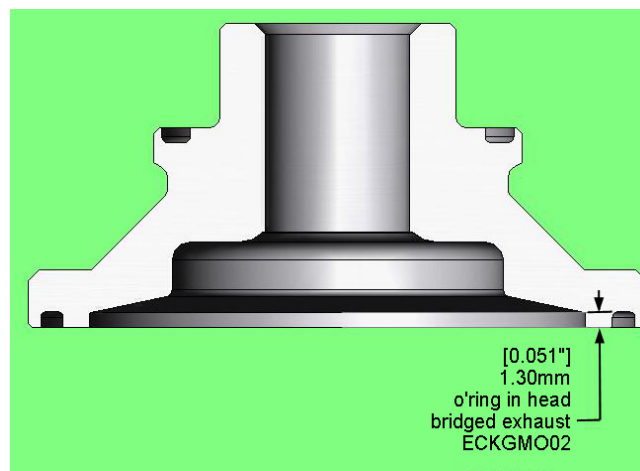
May 19, 2012

There are three cylinder head inserts sold from Cobra today for 60cc mod's. All head inserts are for $\varnothing 43\text{mm}$.

The latest version which comes with any current 60 kits is the ECCSMO02 shown below. It is the only version to work with o'ring in cylinder sealing solution.



Prior to that was the ECKGMO02 which was the head insert for bridged exhaust but with the sealing o'ring in the head insert.





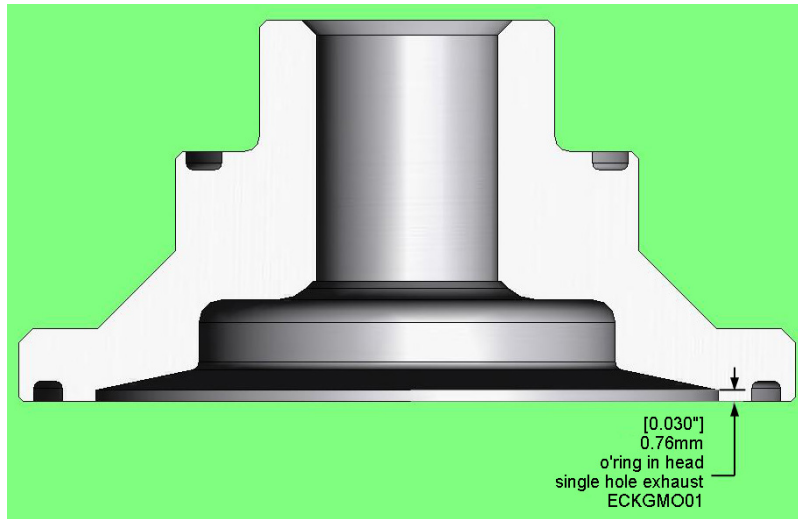
Technical Service Bulletin

Cobra Motorcycle Mfg.

240 Uran street
Hillsdale, MI 49242

(517) 437-9100 phone
(517) 437-9101 fax

The earliest and maybe the most common one is for the single hole exhaust and it also has the sealing o'ring in the head (ECKGMO01).



Please take care when building a 60cc mod engine to know what head insert is required for your application. Picking the wrong insert can result in poor performance and/or an expensive engine failure.