



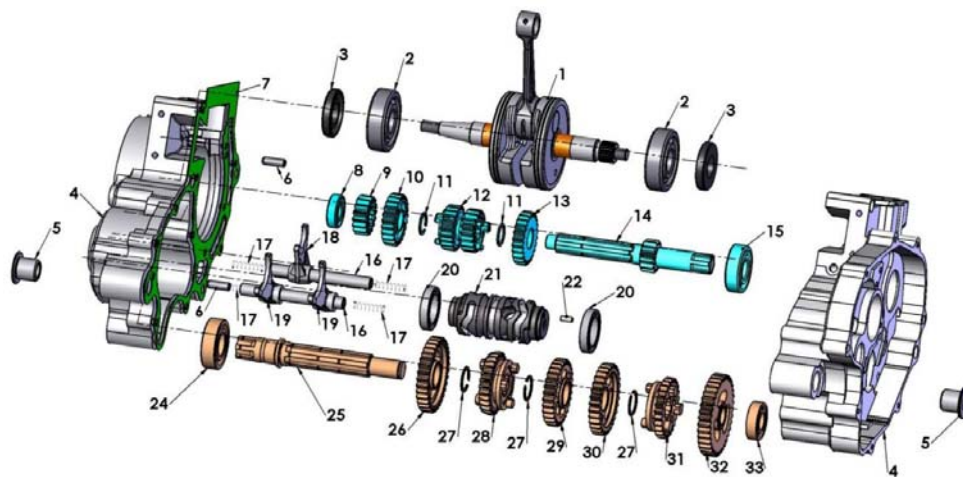
**Cobra Moto, LLC**

240 Uran Street  
Hillsdale, Michigan 49242

(517) 437-9100 phone  
(517) 437-9101 fax

## TSB1616 Transmission Components for CX65

Due to parts availability, CX65 engines built since the first of July will have new style transmission components. These components will be used going forward in the CX65 engines and certain customer service replacement situations. Customers with models built between 2007 and 2016 needing to replace the ECDC0013 gear will be required to upgrade to the new components. Other individual components will be sold as long as they are available.



REF #	OLD NUMBER	DESCRIPTION	NEW NUMBER
9-14	EADC0001	PRIMARY SHAFT ASSEMBLY	EAC60041
9	ECDC0006	GEAR - 2 <sup>ND</sup> PRIMARY, 16T	ECC60306
10	ECDC0005	GEAR – 5 <sup>th</sup> PRIMARY, 23T	ECDC0005
12	ECDC0004	GEAR – 3 <sup>rd</sup> /4 <sup>th</sup> PRIMARY, 18/21T	ECC60304
13	ECDC0002	GEAR – 6 <sup>th</sup> PRIMARY, 24T	ECDC0002
14	ECDC0001	SHAFT – TRANSMISSION PRIMARY (1 <sup>ST</sup> GEAR), 13T	ECC60301
25-32	EADC0002	OUTPUT SHAFT ASSEMBLY	EAC60042
25	ECDC0007	SHAFT – TRANSMISSION OUTPUT	ECC60307
26	ECDC0014	GEAR - 2 <sup>ND</sup> OUTPUT, 34T	ECC60114
28	ECDC0013	GEAR – 5 <sup>TH</sup> OUTPUT, 28T	ECC60313
29	ECDC0011	GEAR – 4 <sup>TH</sup> OUTPUT, 30T	ECC60111
30	ECDC0010	GEAR – 3 <sup>RD</sup> OUTPUT, 31T	ECC60110
31	ECDC0015	GEAR – 6 <sup>TH</sup> OUTPUT, 26T	ECC60315
32	ECDC0016	GEAR – 1 <sup>ST</sup> OUTPUT, 37T	ECC60116
	ECC6	0.5MM SHIMS BETWEEN REF #'S 29 & 30 (OLD SHAFT REQUIRED A QUANTITY OF 2 BUT THE NEW SHAFT REQUIRES A QUANTITY OF 3)	